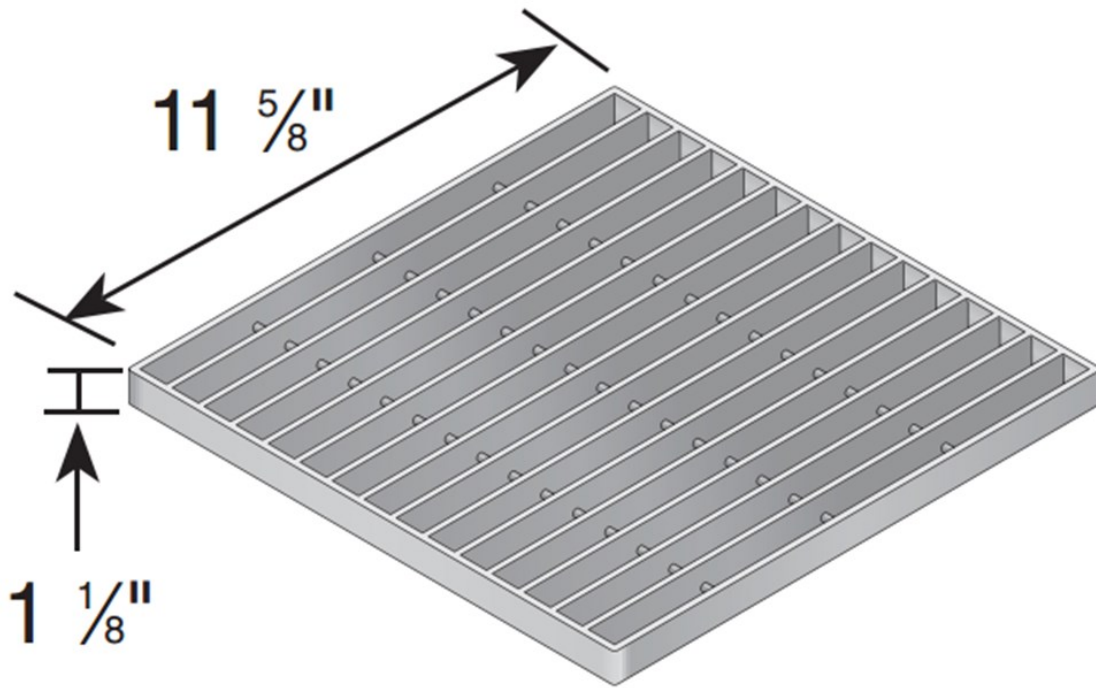


12" x 12" SQUARE GALVANIZED STEEL GRATE



3/4" Grate Opening

Material: Galvanized Steel

Weight: 5.85 lbs

Colors: Galvanized Steel (1215)

Fits: Use with 12" catch basin series

Grate Openings: 113.78 in² open space

Will accommodate: 348.07 gallons per minute
with 1/2" of head.

Load Recommendation Guide



Class C

- Loads of 176-325 psi.
- Recommended for heavy-duty pneumatic tire forklifts and tractor trailers at speeds less than 20 m.p.h., H-20 rated.

Note: Some installations may require a concrete collar to meet load rating. Loads are based on encasing product in concrete. Product must be installed using NDS instructions.

Supplied By:

**TRENCHDRAIN
SUPPLY**

877-903-7246

www.trenchdrainsupply.com